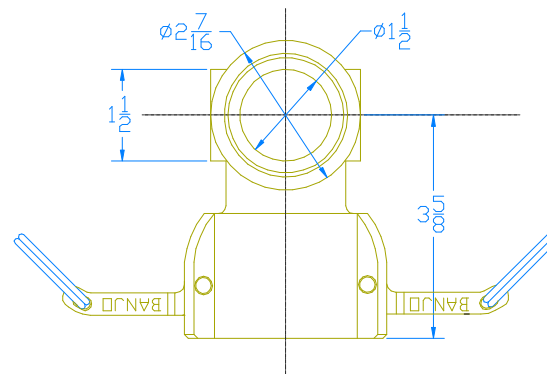
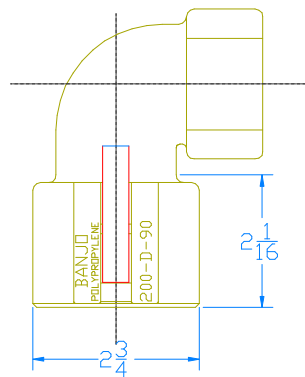



JUNE 27, 1997



THIS DRAWING AND ALL INFORMATION CONTAINED THEREIN ARE THE EXCLUSIVE PROPERTY OF BANJO CORPORATION. UNLESS SPECIFICALLY NOTED, THIS DRAWING AND ITEMS SHOWN ON THIS DRAWING ARE SUBJECT TO CHANGE AT ANY TIME.

 LIQUID HANDLING PRODUCTS	
BANJO CORPORATION 150 BANJO DR. * CRAWFORDSVILLE, IN 47933	
PART NO.	150D90
TITLE	90° FEMALE COUPLER 1-1/2" FEMALE THREAD